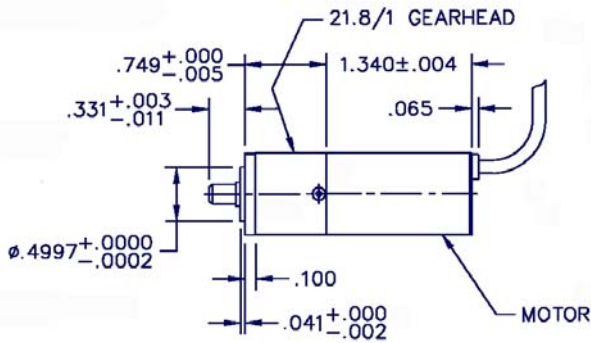
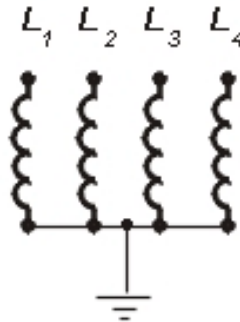


45 Degree Stepper Motors (Permanent Magnet)



Drivers	Lead	1	2	3	4
Step 1		+			
Step 2			+		
Step 3				+	
Step 4					+

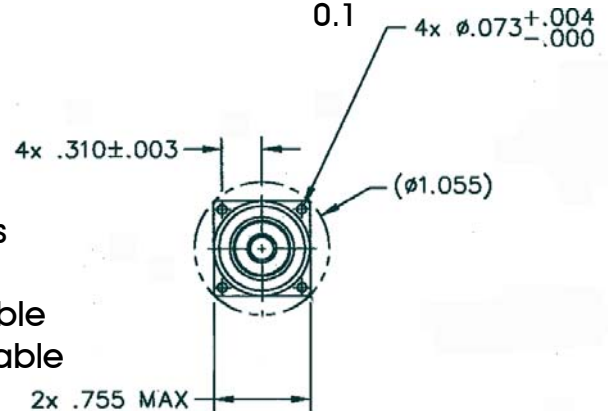


Unipolar Windings

	<u>Non-Redundant</u>	<u>Redundant</u>
Pulse Rate (pps)	32	32
Power (watts)	2	1
Holding torque (in-oz Nominal)	0.8	0.8
Running torque @ 4 pps (in-oz)	0.4	0.4
R (per phase)	16 Ω	8 Ω
Kt (in-oz/amp)	2.4	2.4
Km	0.6	0.84
Detent torque (in-oz)	0.1	0.1

Features

- Space Qualified
- Available with pinion for gearhead applications
- Redundant winding option available
- Unipolar or Bipolar drive winding options available
- Ceramic or steel ball bearing options are available
- Dry or wet lubrication options are available
- All materials are compliant with NASA outgassing requirements



Motion Control Systems Division

350 Kennedy Drive
Hauppauge, NY 11788
Phone: (631) 231-9100

E-Mail sales-motion@aeroflex.com

