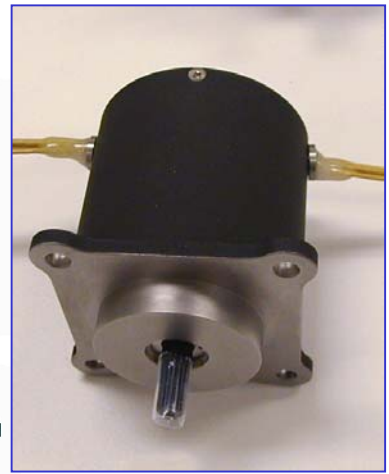
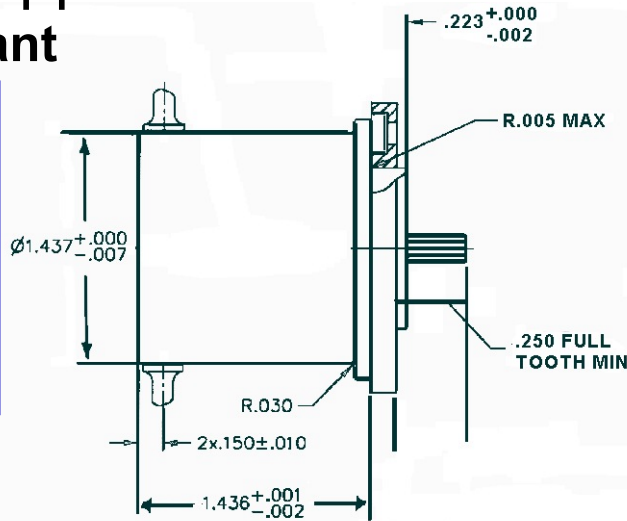
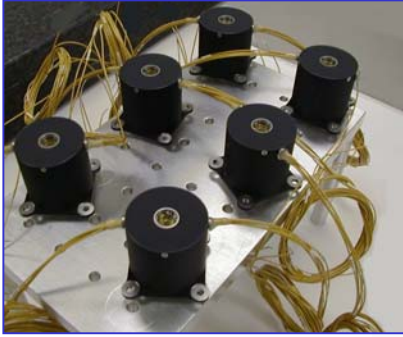


90 Degree Stepper Motors

Size 15 Redundant



Unipolar Windings

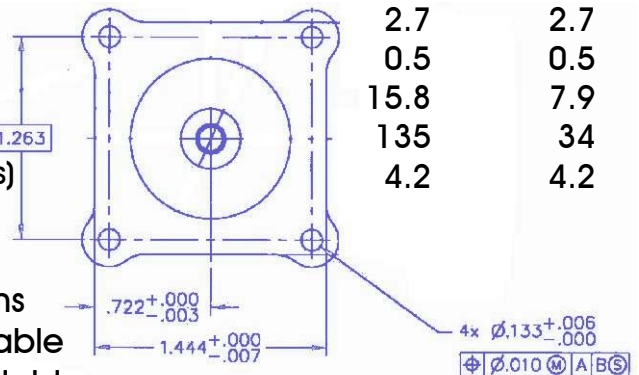
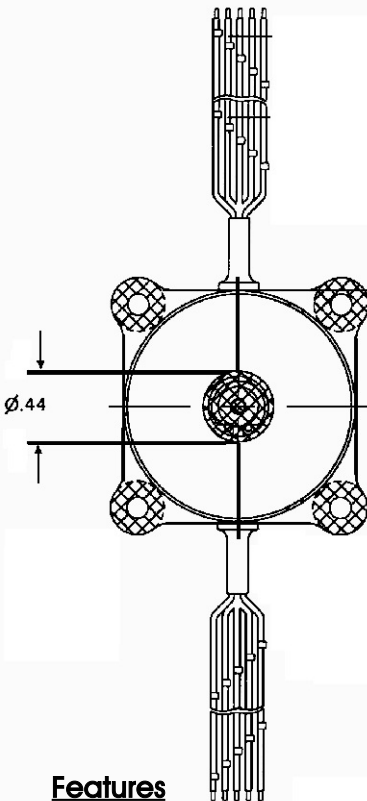
-201 -202

Pulse Rate (pps max)	150	150
Km (in-oz/√watts)	0.95	0.95
Running torque @60 pps (in-oz)	1.2	1.2
Holding torque (in-oz)	2.7	2.7
Detent torque (in-oz)	0.5	0.5
Kt (in-oz/amp)	7.9	4
Phase resistance (ohms)	68	18
Power - Single Winding (watts)	8.5	8.5

Bipolar Windings

-201 -202

Pulse Rate (pps max)	150	150
Km (in-oz/√watts)	1.35	1.35
Running torque @61 pps (in-oz)	1.2	1.2
Holding torque (in-oz)	2.7	2.7
Detent torque (in-oz)	0.5	0.5
Kt (in-oz/amp)	15.8	7.9
Phase resistance (ohms)	135	34
Power - Single Winding (watts)	4.2	4.2



Features

- Space Qualified
- Available with pinion for gearhead applications
- Unipolar or Bipolar drive winding options available
- Ceramic or steel ball bearing options are available
- Dry or wet lubrication options are available
- All materials are compliant with NASA outgassing requirements

Motion Control Systems Division

350 Kennedy Drive, Hauppauge, NY 11788-4014 USA
 Phone: (631) 231-9100 Fax: (631) 234-8375
 E-Mail sales-motion@aeroflex.com

