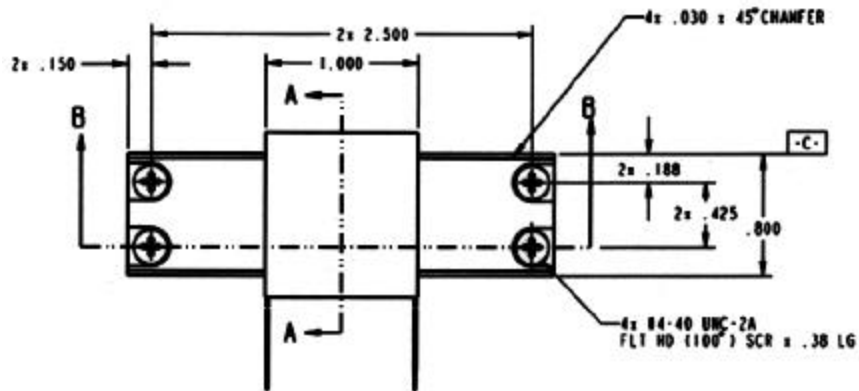
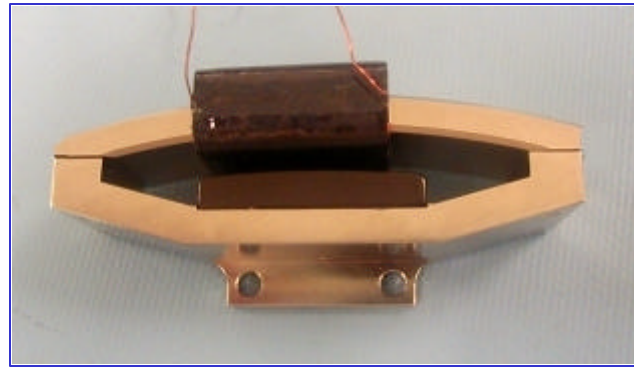
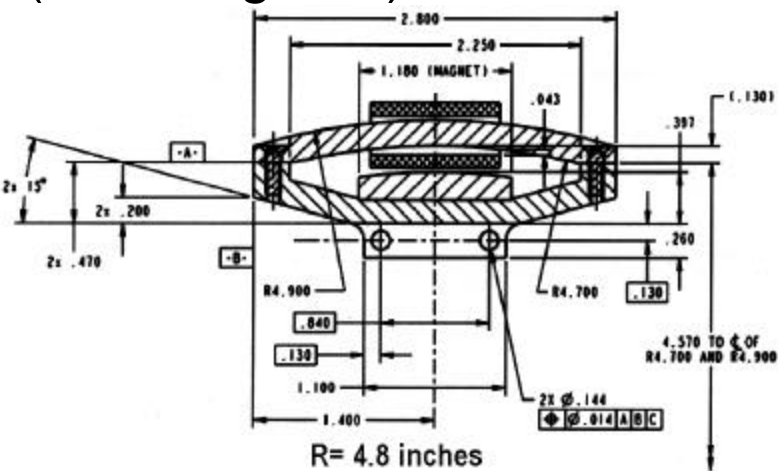


Rotary Voice Coil Actuator (+/-5 Degrees)

P/N 16273



Specifications

| | |
|---------------|------------------------------------|
| K_t | 77 in-oz/amp (+/-5%) |
| T_{peak} | 120 in-oz (min) |
| $V_{operate}$ | 14 volts |
| *R | 9Ω (+/-10%) |
| K_m | 26 in-oz/ \sqrt{watts} (Nominal) |

* Special Coils Available

Features

- Rare Earth Magnets
- Nickel Plated Steel Body
- Mechanically Stabilized Coils
- Allows for Out of Plane Motion (Wide Coil Construction)

Motion Control Systems Division

350 Kennedy Drive
Hauppauge, NY 11788
Phone: (631) 231-9100

F-Mail sales-motion@aeroflex.com

